



PT-100

Time & Attendance
Mobile Biometric Fingerprint
Guard Patrol Device



Features

Standard Features

- Reliable ZK optical sensor
- Stores 500 templates
- 1.44-inch colour TFT screen for easy navigation
- Less than 1 second user recognition
- Stores 30,000 transactions
- USB port for manual data transfers
- IP65 rated

Enhanced Features

- PULL SDK Available for development
- Patrol Software supplied
- Low power consumption, standby up to 7days
- Integrated RFID proximity reader

Software

- ZK Patrol 1.0 Security System

Related Products



ZK4500



RFID Cards & Tags

Alternative Products



CR10-E



RFID Tag

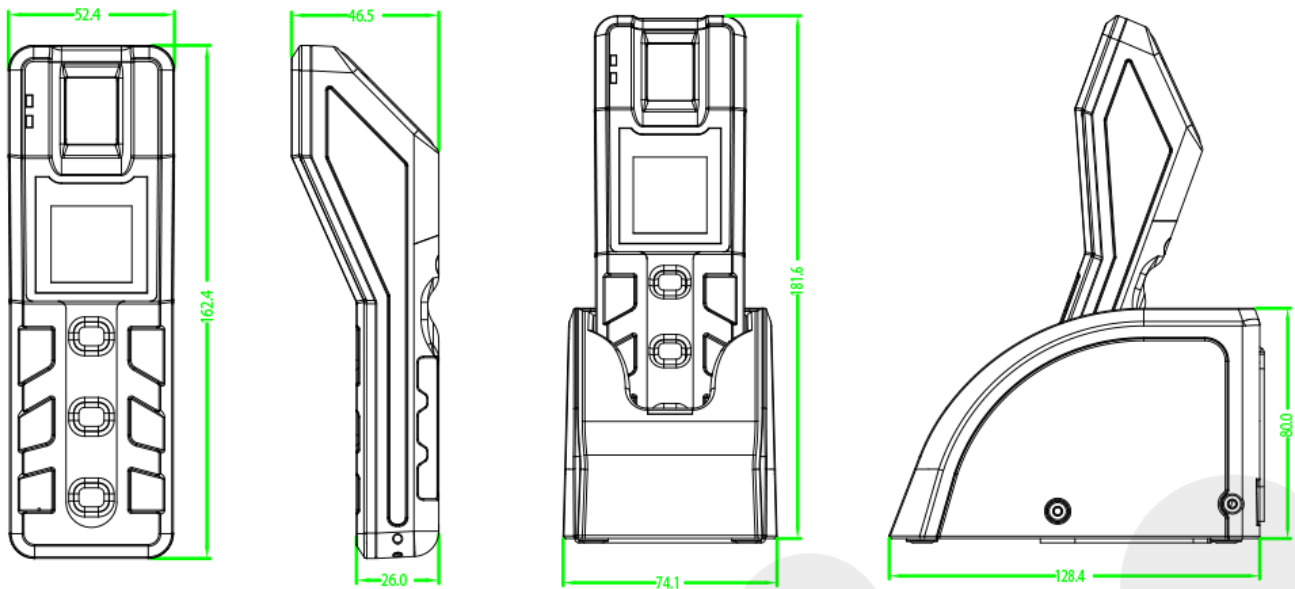


Software

Specifications

- Fingerprint Capacity: 500 templates
- Transaction Capacity: 30,000 transactions
- RFID Card Capacity: 1,000 cards
- Sensor: Infrared Auto-sleep Optical Sensor
- Algorithm Version: ZK Finger v10.0
- Built-in Card Reader: 125kHz RFID proximity reader
- Communication: USB-client
- Protection Rating: IP65
- Optional Functions: PULL SDK for development
- Power Supply: 5V 800mA
- Operating Temperature: 0 °C - 40 °C
- Operating Humidity: 20% - 80%
- Dimension: 52.4 X 162.4 X 46.5mm

Dimensions



Configuration

