



## KR600\*

Access Control  
RFID - IP Proximity Device



## Features

### Standard Features

- Solid Epoxy potted
- IP65 Rated
- Built-in Wiegand output ports
- Less than 1 second user recognition
- Reverse polarity protection

### Enhanced Features

- Audio - Visual indications for valid / invalid entries
- 26 / 334bit Wiegand
- Integrated 125kHz RFID proximity reader

### Software

- ZK Access Control Management 5.2 (via Controller)

### Related Products



ZK4500



Exit Button



Maglocks



CR10-E

### Alternative Products



SC103

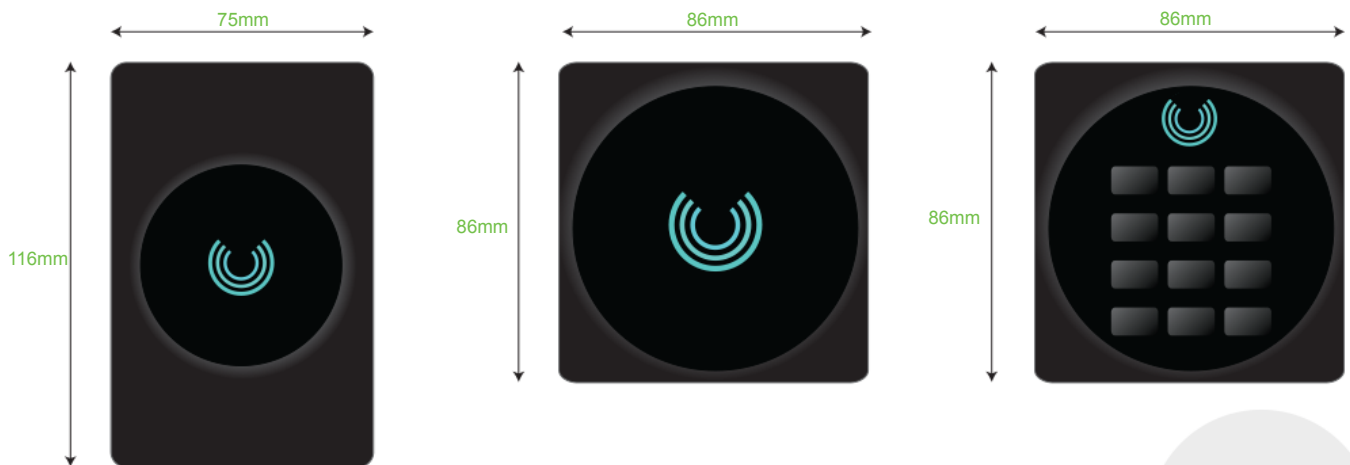


SCR100

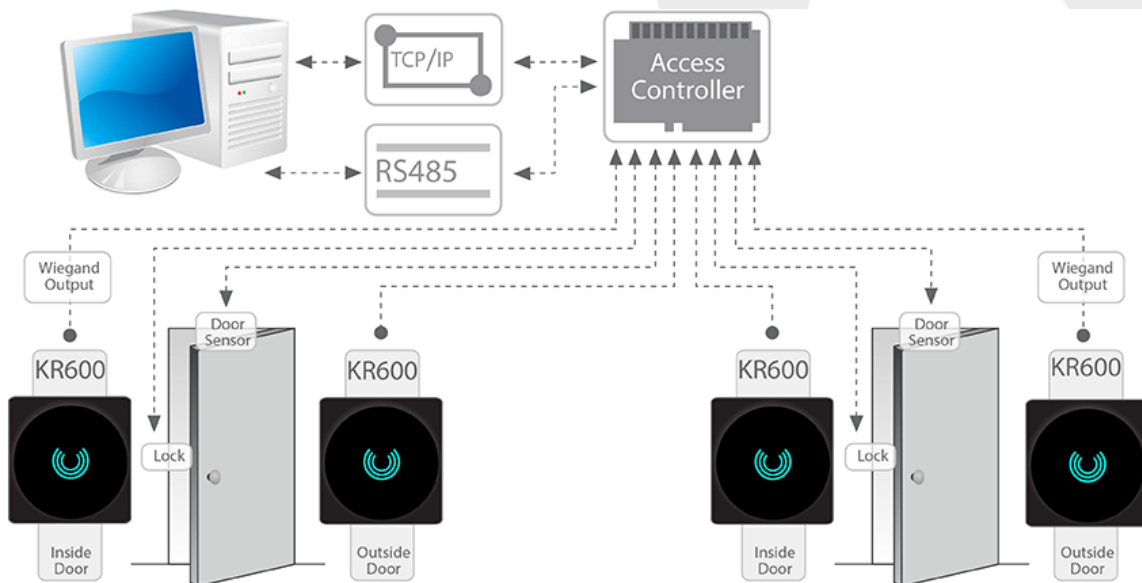
## Specifications

- Verification Time: <300ms
- Verification Distance: Up to 10cm
- Built-in Card Reader: 125kHz RFID proximity reader
- Indicators: LED / Beeper
- Communication: Wiegand Output
- Access Control interfaces: 3rd party electric lock, door sensor, exit button, door alarm
- Power Supply: 6 - 14V DC 70mA
- Operating Temperature: -20 °C - 65 °C
- Operating Humidity: 20% - 80%
- Dimensions: KR600 - 75 X 116 X 16mm
- KR601 - 86 X 86 X 16mm
- KR602 - 86 X 86 X 16mm

## Dimensions



## Configuration



ZKTeco, ZKSoftware, ZKAccess, ZKIVision, ZKBioblock, ZKAFIS are either registered trademarks or trademarks of ZKTECO INC and ZKTeco South Africa.

You must obtain written and signed permission from ZKTECO before using any photograph owned or licenced by ZKTECO.

Copyright © 1998-2014 ZKTECO INC. All rights reserved.