



KR200*

Access Control
RFID - IP Proximity Device



Features

Standard Features

- Solid Epoxy potted
- IP65 Rated
- Built-in Wiegand output ports
- Less than 1 second user recognition
- Reverse polarity protection

Enhanced Features

- Audio - Visual indications for valid / invalid entries
- 26 / 334bit Wiegand
- Integrated 125kHz RFID proximity reader

Software

- ZK Access Control Management 5.2 (via Controller)

Related Products



ZK4500



Exit Button



Maglocks



CR10-E

Alternative Products



SC103

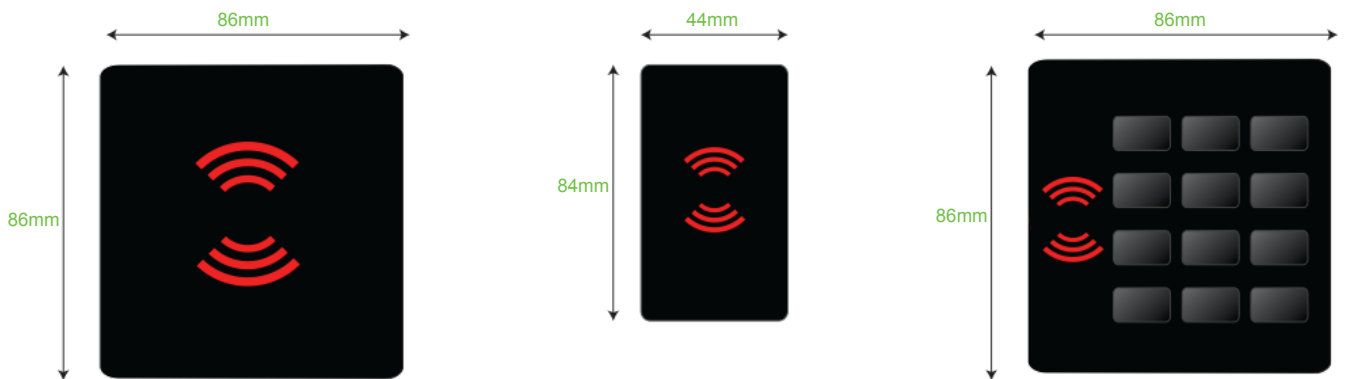


SCR100

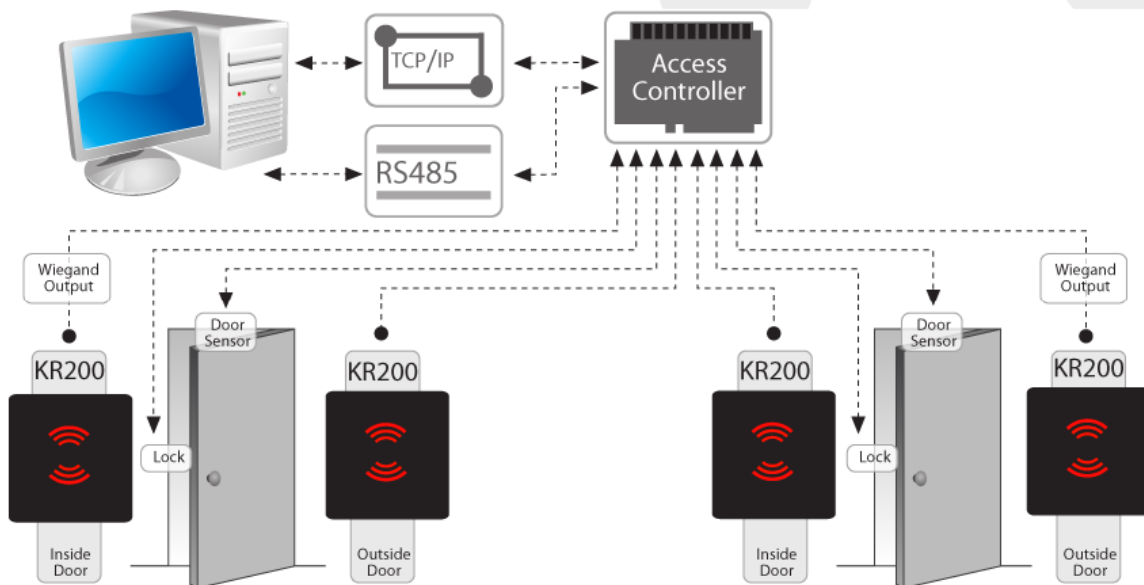
Specifications

- Verification Time: <300ms
- Verification Distance: Up to 10cm
- Built-in Card Reader: 125kHz RFID proximity reader
- Indicators: LED / Beeper
- Communication: Wiegand Output
- Access Control interfaces: 3rd party electric lock, door sensor, exit button, door alarm
- Power Supply: 6 - 14V DC 70mA
- Operating Temperature: -20 °C - 65 °C
- Operating Humidity: 20% - 80%
- Dimensions: KR200 - 86 X 86 X 17mm
- KR201 - 44 X 84 X 17mm
- KR202 - 86 X 86 X 17mm

Dimensions



Configuration



ZKTeco, ZKSoftware, ZKAccess, ZKIVision, ZKBiolock, ZKAFIS are either registered trademarks or trademarks of ZKTECO INC and ZKTeco South Africa.

You must obtain written and signed permission from ZKTECO before using any photograph owned or licenced by ZKTECO.

Copyright © 1998-2014 ZKTECO INC. All rights reserved.