



F12

Access Control
Biometric Fingerprint Slave Device



Features

Standard Features

- Slim & Elegant design
- IP65 Rated
- Stores no fingerprint templates for security
- Integrated RFID reader
- Act as slave device to master devices
- RS485 communications

Devices

- F6
- F7 range
- F17
- F18
- inBio Controllers

Software

- ZK Access Control Management 3.5 (via Master)
- ZK Access Control Management 5.2 (via Controllers)

Related Products



ZK4500



RFID Cards

Master Devices



F6



F7

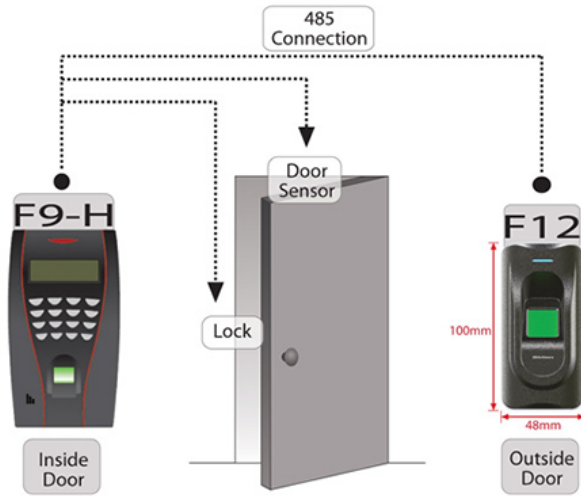


F17

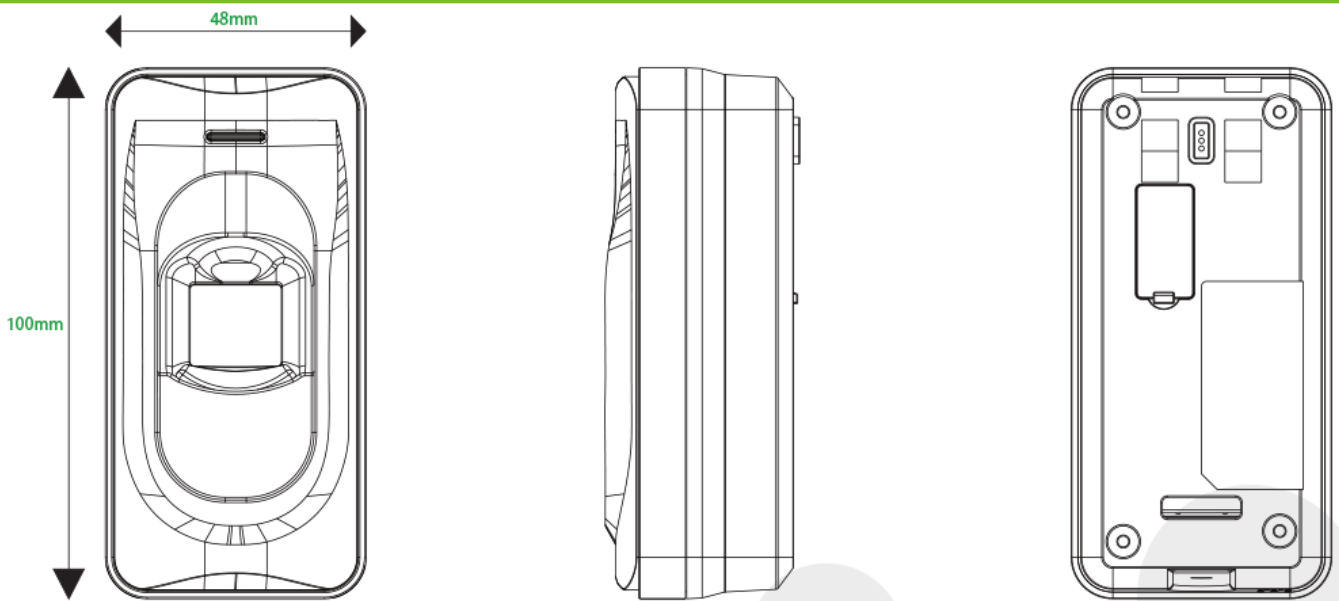


F18

Diagram

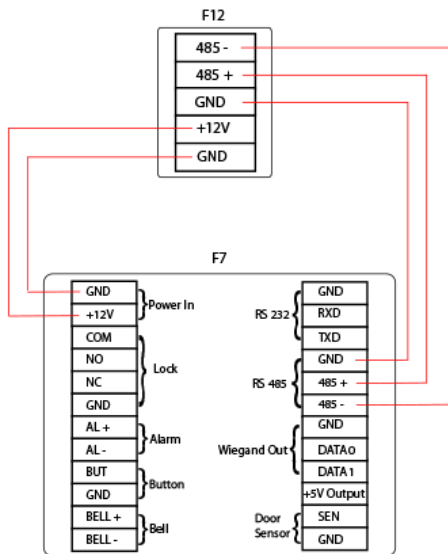


Dimensions

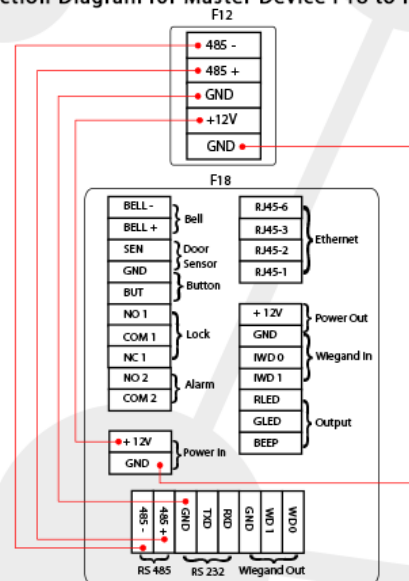


Connections

Connection Diagram for Master Device F7* to F12 Slave



Connection Diagram for Master Device F18 to F12 Slave



ZKTeco, ZKSoftware, ZKAccess, ZKIVision, ZKBioblock, ZKAFIS are either registered trademarks or trademarks of ZKTECO INC and ZKTeco South Africa.

You must obtain written and signed permission from ZKTECO before using any photograph owned or licenced by ZKTECO.

Copyright © 1998-2014 ZKTECO INC. All rights reserved.